



T&S BRASS AND BRONZE WORKS, INC.
 2 SADDLEBACK COVE / P.O. BOX 1088 / TRAVELERS REST, SC 29690
 PHONE 800-476-4103 - FAX 864- 834-3518



Sales No.

059A

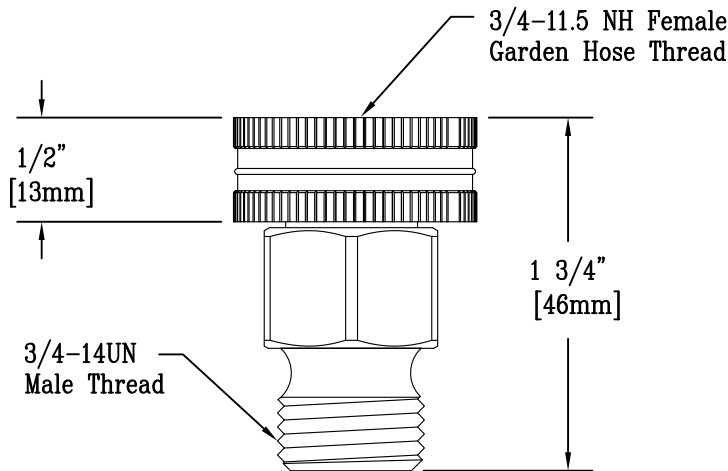
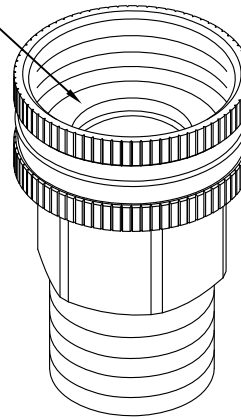
**RELIABILITY
 BUILT IN**

Job Name:

Architect/Engineer Approval:

Notes:

Furnished w/
 GH Washer



Product Description:

Adapter Assembly:
 3/4" GH Female x 3/4-14UN Male

Drawn:

JHB

Checked

MAV

Scale:

1:1

Approved

JHB

Date:

07-13-10